

## Application

Volumetric feeder for pellets, fibres, grinded materials and micro-pellets or polymer-powders.

### Volumetric Feeder SCHOLZ MONO

Single-screw feeder without agitator

Material: 1.4301 (stainless steel)  
 Hoppers size: 6, 30, 45, 85, 115 dm<sup>3</sup>  
 Drive: 230/400 VAC 50 hz 180/370W geared motor  
 red. A=5,1 (max. 3000 kg/hr)  
 red. B=17,8 (max. 600 kg/hr)  
 red. C=60,5 (max. 100 kg/hr)  
 LENZE Vector-frequency inverter  
 Frequency range: 3 to 100 Hz

Output-rates: approx. 0,3 kg/hr to 3.000 kg/hr

Exchangeable tools, like screws and tube-outlets allow the ideal adaptation to output-rate and bulk density.



### Feeding tools: diameter / pitch in mm

Spiral-screw with centerrod	Spiral-screw pitch fine	Spiral-screw pitch coarse	Auger-screw pitch fine	Auger-screw pitch coarse	Tube outlet vertical	Tube outlet horizontal
<b>S12/12</b>	<b>S27/20</b>	<b>S34/37</b>	<b>V40/30</b>	<b>V40/60</b>	<b>R23V</b>	<b>R23H</b>
<b>S16/16</b>	<b>S34/20</b>	<b>S40/60</b>		<b>V50/70</b>	<b>R30V</b>	<b>R30H</b>
	<b>S40/30</b>	<b>S52/64</b>			<b>R50V</b>	<b>R50H</b>
					<b>R70V</b>	<b>R70H</b>

Standard length of screws: 380 mm

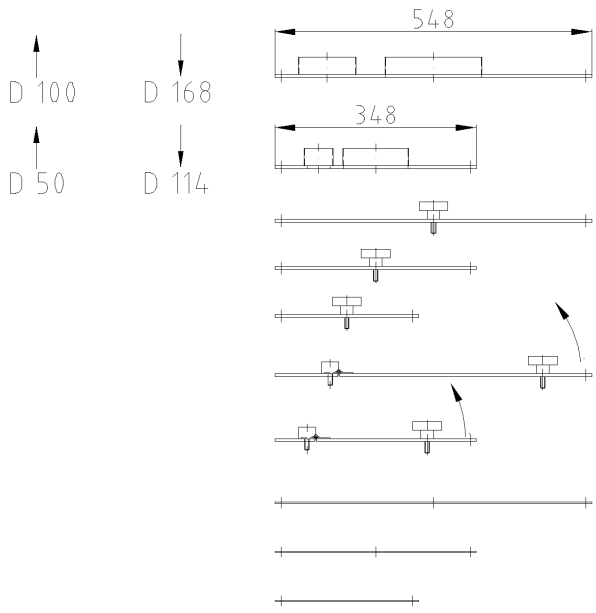
### Loss-in-Weight Feeder type: ECONO

**MONO** - Single screw feeder mounted on a **BASIC300** - or on a **BASIC400** - scale:

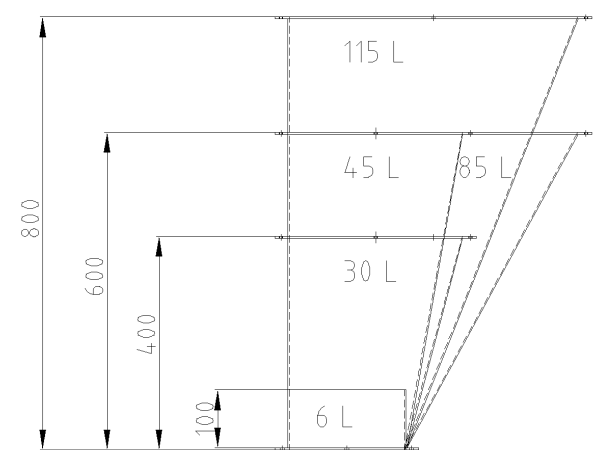
Scale:	<b>BASIC300</b>	<b>BASIC400</b>
<b>Weight capacity:</b>	30, 75 kg	75, 150, 300 kg
<b>Dimensions scale:</b>	300 x 300 mm	400 x 400 mm
<b>Dimensions compl:</b>	390 x 300 x 150 mm	490 x 400 x 150 mm
<b>Material of components:</b>	Aluminium / high-grade steel	Aluminium / high-grade steel
<b>Construction:</b>	plug and play	plug and play
<b>Weight:</b>	11 kg	16 kg

The **CON-TRUST** control system generate individual- and multiple - feeder control.

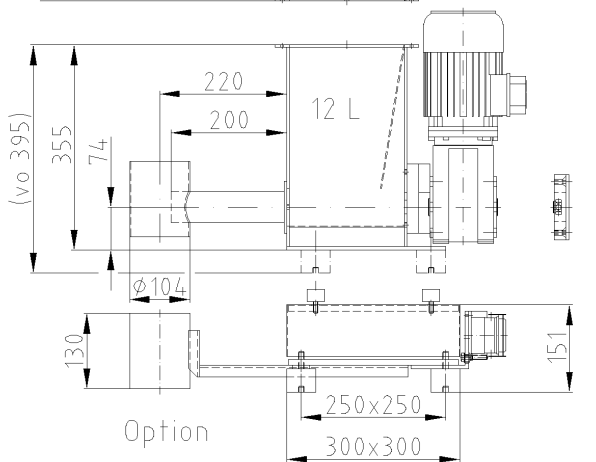




Part-Nr.	kg
<b>AUTO LID</b>	
AL-55	4,0
AL-33	1,8
<b>MANUAL LID</b>	
ML-55	4,5
ML-33	2,0
ML-23	1,5
<b>FLAP LID</b>	
FL-55	4,7
FL-33	2,2
<b>SAFETY GRID</b>	
SG-55	1,6
SG-33	0,7
SG-23	0,5



<b>BASIC HOPPER</b>	
BH-2358-115	22,0
BH-2356-085	17,0
BH-2336-045	12,0
BH-2334-030	7,0
BH-23231-006	2,5



<b>FEEDER</b>	
MONO	23,0
MONO-RC	0,5
<b>SCALE</b>	
BASIC300	11,0
BASIC301+RC	

**Differential-Dosierwaage ECONO**  
**Loss-in-Weight-Feeder ECONO**

\* Preise können von den aktuellen Listenpreisen abweichen