

Application

Volumetric feeder for pellets, fibres, grinded materials and free flowing micro-pellets.

Volumetric Feeder SCHOLZ SOLO

Single screw feeder without agitator

Material: 1.4301 (stainless steel)
 Available hoppers: 36, 98, 130, 210 dm³
 Motor-drive: 230/400 VAC 50 hz 370W gear motor
 red. A=5,1 (max. 10.000 kg/hr)
 red. B=17,8 (max. 3.000 kg/hr)
 red. C=60,5 (max. 800 kg/hr)
 LENZE Vector-frequency inverter
 Frequency range: 3 to 100 hz

Output-rates: approx. 100 kg/hr to 10.000 kg/hr
 Interchangeable screws and tube-outlets for the best adaptation of output-rate and bulk density.



Feeding tools: diameter / pitch in mm

Spiral-screw pitch fine	Spiral-screw pitch coarse	Auger-screw pitch fine	Auger-screw pitch coarse	tube outlet vertical	tube outlet horizontal
S82/39	S53/64	V40/30	V40/60	R50V	R108H
	S67/71		V50/70	R70V	R133H
	S80/88			R108V	
	S110/100			R133V	

Standard length of screws: 480 mm

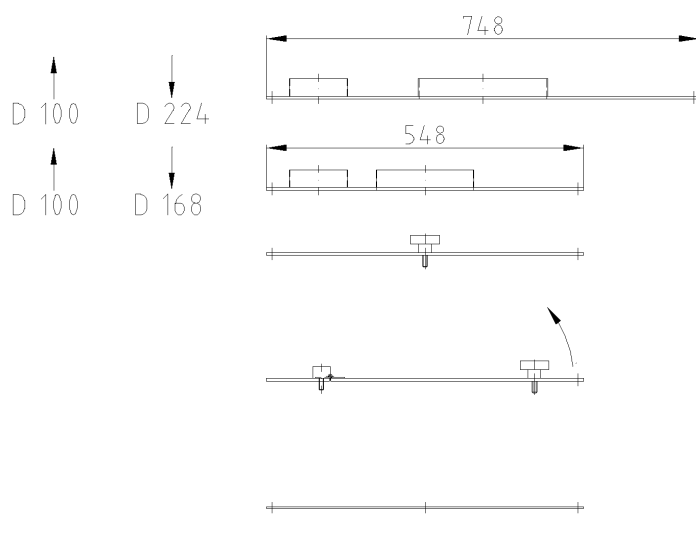
Loss-in-Weight Feeder type: RATIO

Single screw feeder mounted on a **BASIC400** - Scale:

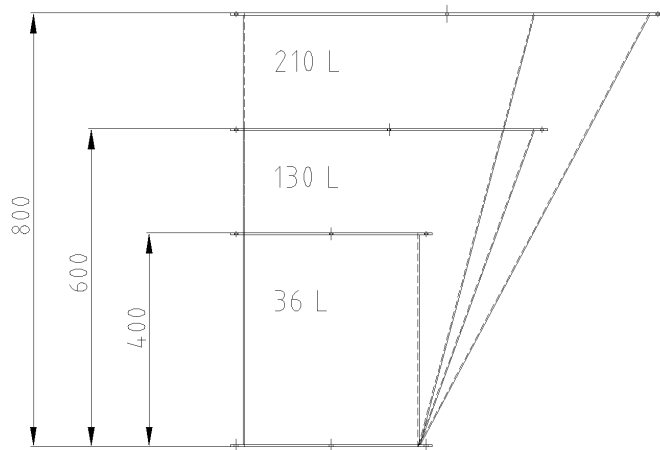
Scale: **BASIC400**
 Weight capacity: 75, 150, 300 kg
 Dimensions scale: 400 x 400 mm
 Dimensions compl.: 490 x 400 x 150 mm
 Material of components: Aluminium / high-grade steel
 Construction: plug and play
 Weight: 16 kg

The **CON-TRUST** control system generate individual- and multiple – feeder control.

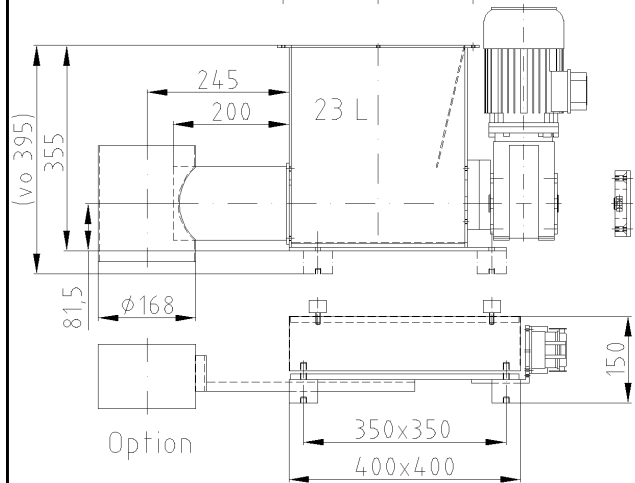




Part-Nr.	kg
AUTO LID AL-77	7,5
AL-55	4,0
MANUAL LID ML-55	4,5
FLAP LID FL-55	4,7
SAFETY GRID SG-55	1,6



BASIC HOPPER	
BH-378-210	30,0
BH-358-130	25,0
BH-356-098	19,0



STACK HOPPER	
SH-334-036	10,0
FEEDER	
SOLO	30,0
SOLO-RC	0,5
SCALE	
BASIC400	16,0
BASIC400+RC	

Differential-Dosierwaage RATIO
Loss-in-Weight-Feeder RATIO

* Preise können von den aktuellen Listenpreisen abweichen