

Application

volumetric / gravimetric feeding of solids.

- Pellets Micro-Pellets Grind Powder Fibers

SCHOLZ FLEX50

Single-Screw Feeder with flexible hopper.

- separate paddle-drive as standard
- flexibly adjustable paddles (stroke, distance, size)
- PU-hopper with stable frame for easy handling
- Made in Germany

Dosing-capacity of the SCHOLZ FLEX-Series

kg/h (bei 0,5kg/l)	0,1	1	5	10	50	100	500	1.000	5.000	10.000	25.000
FLEX50											
FLEX80											
FLEX130											

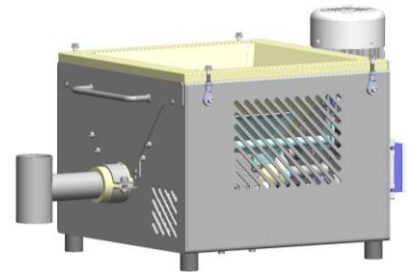
- Screws: \varnothing 13mm to \varnothing 40mm in full-blade / spiral / with core / double-helix / notched / special / coated
- Tube-Outlet: \varnothing 13mm to \varnothing 50mm horizontal / vertical / with shutter
- Hopper: 10 Liter in standard / FDA / acid / high-temp / ATEX
- Add. Hopper: 15 to 70 Liter round / square, expandable
- Lid: for manual / automatic refilling / flap-lid / plexiglass / for conveyors
- Options: Agitator / ATEX / run control / outlet-compensation
- Material: Stainless Steel 1.4301, Hopper Polyurethan-based mixture
- Weight: appr. 40kg (without hoppers)
- Dimensions: 400x400x320mm (DxWxH)
- Gear-Motor: A $i=7,5$ $\Delta 230/Y400V$; 1,2/0,7A; 0,18kW; 1350U/min; 50Hz
 B $i=25$ $\Delta 230/Y400V$; 1,2/0,7A; 0,18kW; 1350U/min; 50Hz
 C $i=100$ $\Delta 230/Y400V$; 1,2/0,7A; 0,18kW; 1350U/min; 50Hz
 D $i=300$ $\Delta 230/Y400V$; 1,2/0,7A; 0,18kW; 1350U/min; 50Hz
- Paddle-Motor: $i=58$ $\Delta 230/Y400V$; 0,71/0,41A; 0,09kW; 1360U/min; 50Hz

Loss-in-weight-Feeder VARIO

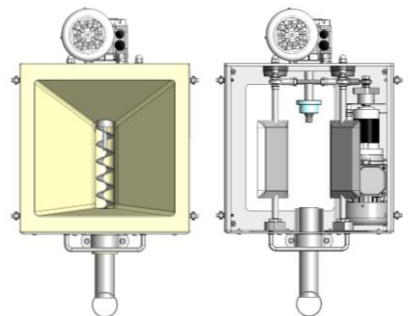
In combination with a SCHOLZ BASIC platform scale, you have a gravimetric feeding-scale.

- Scale : **BASIC400**
- Capacity : 75 / 150 / 300kg
- Platform : 400 x 400mm
- Dimensions: 490 x 400 x 150mm (DxWxH)
- Material : Alu / Stainless Steel
- Execution: plug & play
- Own weight: 11kg

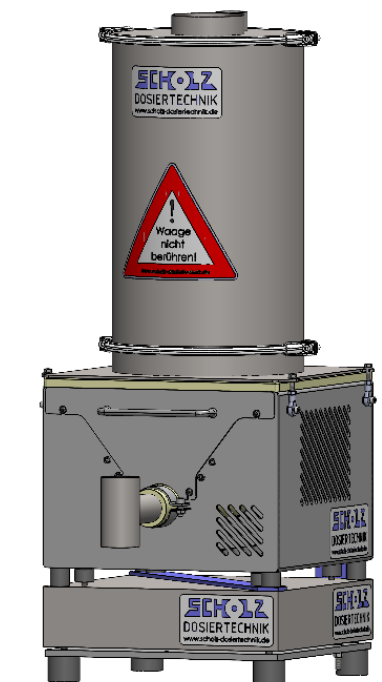
The SCHOLZ-CON-TRUST control system enables single- and multi-component operation.



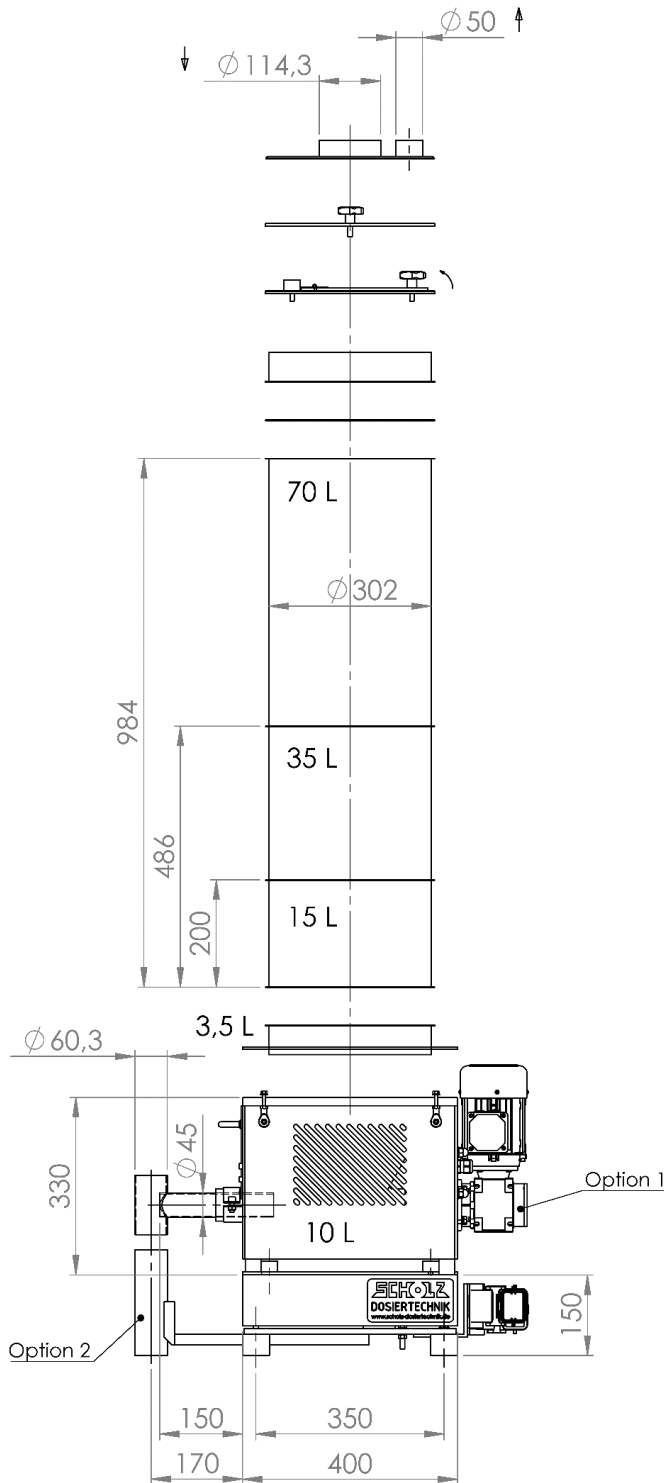
FLEX50 with vertical tube-outlet



Top view with / without PU-hopper



FLEX50 with 35-Liter-Hopper and vertical tube-outlet placed on Platform scale BASIC400



AUTO LID

ALR-3 1,0 kg

MANUAL LID

MLR-3 1,0 kg

FLAP LID

FLR-3 1,5 kg

SAFETY GRID

GAR-3 0,9 kg
SGR-3 0,3 kg

BASIC HOPPER

RH-70-310 14,0 kg
RH-35-35 7,0 kg
RH-15-32 3,0 kg

BASIC FLANGE

BF-300 3,8 kg

FEEDER

FLEX50 40,0 kg
Option 1
FLEX50-RC 0,5 kg
RUN CONTROL

SCALE

BASIC400 16,0 kg
Option 2
BASIC400-OC 1,6 kg
OUTLET COMPENSATION

Differential-Dosierwaage VARIO
Loss-in-Weight-Feeder VARIO