

Application

volumetric / gravimetric feeding of solids.

Pellets Micro-Pellets Grind Powder Fibers

SCHOLZ LOGO

Single-Screw Feeder.

- cost effective solution for good flowing solids
- removable motor/screw unit
- extensive modular hopper system
- made in Germany

Dosing-capacity of the SCHOLZ Series

kg/h (bei 0,8kg/l)	0,1	1	5	10	50	100	500	1.000	5.000	10.000	25.000
LOGO											
MONO+											
SOLO											
GOLO											

Screws: \varnothing 12mm to \varnothing 60mm in spiral / full-blade /
with core / double-helix / notched / special

Tube-Outlet: \varnothing 23mm to \varnothing 80mm horizontal / vertical

Hopper: 28 Liter

Add. Hopper: 36 to 130 Liter, expandable

Lid: for manual / automatical refilling /
Flap-Lid / Plexiglass / for Conveyors

Options: Agitator, ATEX, Run Control

Material: Stainless Steel 1.4301

Weight: appr. 22kgs (without add. hoppers)

Dimensions: 350x350x550mm (DxWxH)

Gear-Motor: A i=10 Δ 230V A W 50Hz / Y400V A W 50Hz
B i=30 Δ 230V A W 50Hz / Y400V A W 50Hz
C i=80 Δ 230V A W 50Hz / Y400V A W 50Hz

Agitator (Option): Δ 230V A W 50Hz / Y400V A W 50Hz

LOSS-IN-WEIGHT FEEDER **ECONO**

In combination with a SCHOLZ BASIC platform scale, you have a gravimetric feeding-scale.

Scale:	BASIC300	BASIC400
Capacity:	30 / 75kgs	75 / 150 / 300kgs
Platform:	300 x 300mm	400 x 400mm
Scale:	390 x 300 x 150mm	490 x 400 x 150mm (DxWxH)
Material:	Alu / Stainless Steel	Alu / Stainless Steel
Execution:	plug & play	plug & play
Own weight:	11kgs	16kgs

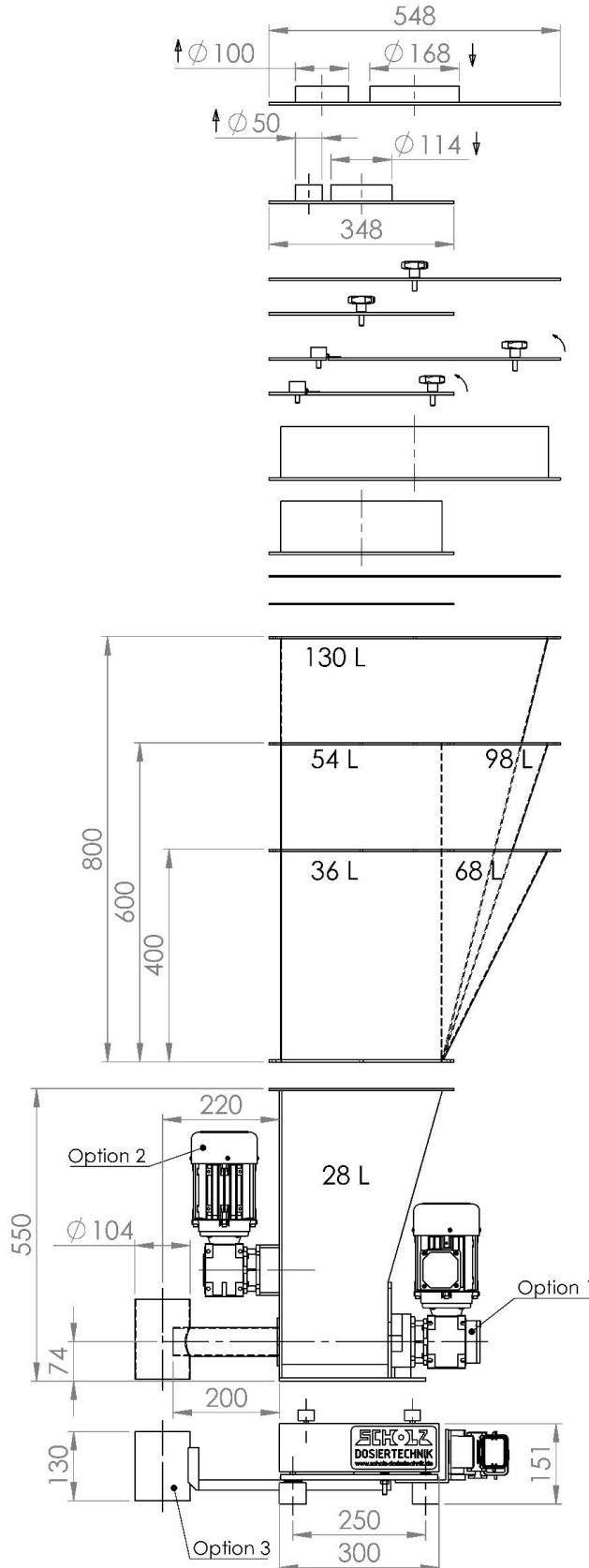
The SCHOLZ-CON-TRUST control system enables single- and multi-component operation.



LOGO with horizontal Tube-Outlet



LOGO with 68-Liter-Hopper and vertical tube-outlet placed on platform-scale BASIC300



Differential-Dosierwaage ECONO
Loss-in-Weight-Feeder ECONO

AUTO LID

AL-55 4,0 kg

AL-33 1,8 kg

MANUAL LID

ML-55 4,5 kg
ML-33 2,0 kg

FLAP LID

FL-55 4,7 kg
FL-33 2,2 kg

BASIC HOPPER

BH-025-551 5,0 kg
BH-009-331 2,5 kg

SAFETY GRID

SG-55 1,6 kg
SG-33 0,7 kg

BASIC HOPPER

BH-130-358 25,0 kg
BH-098-356 19,0 kg
BH-068-354 14,0 kg

STACK HOPPER

SH-054-336 14,0 kg
SH-036-334 10,0 kg

FEEDER

LOGO 22,0 kg

Option 1
LOGO-RC 0,5 kg
RUN CONTROL

Option 2
LOGO-HA 8,0 kg
HORIZONTAL AGITATOR

SCALE

BASIC300 11,0 kg

Option 3
BASIC300-OC 1,5 kg
OUTLET COMPENSATION