

## Application

volumetric / gravimetric feeding of solids.

Pellets     Micro-Pellets     Grind     Powder     Fibers

## SCHOLZ MONO+

### Single-Screw Feeder.

- cost effective solution for good flowing solids
- removable motor/screw unit
- extensive modular hopper system
- made in Germany

### Dosing-capacity of the SCHOLZ Series

kg/h (bei 0,8kg/l)	0,1	1	5	10	50	100	500	1.000	5.000	10.000	25.000
LOGO											
<b>MONO+</b>											
SOLO											
GOLO											

Screws:             $\varnothing$  12mm to  $\varnothing$  60mm in spiral / full-blade /  
with core / double-helix / notched / special

Tube-Outlet:     $\varnothing$  23mm to  $\varnothing$  80mm horizontal / vertical

Hopper:            23 Liter

Add. Hopper:    36 to 130 Liter, expandable

Lid:                 for manual / automatical refilling /  
Flap-Lid / Plexiglass / for Conveyors

Options:           Agitator, ATEX, Run Control

Material:          Stainless Steel 1.4301

Weight:            appr. 25kgs (without add. hoppers)

Dimensions:     350x350x550mm (DxWxH)

Gear-Motor:     A   i=10     $\Delta$ 230V A W 50Hz / Y400V A W 50Hz  
                          B   i=30     $\Delta$ 230V A W 50Hz / Y400V A W 50Hz  
                          C   i=80     $\Delta$ 230V A W 50Hz / Y400V A W 50Hz

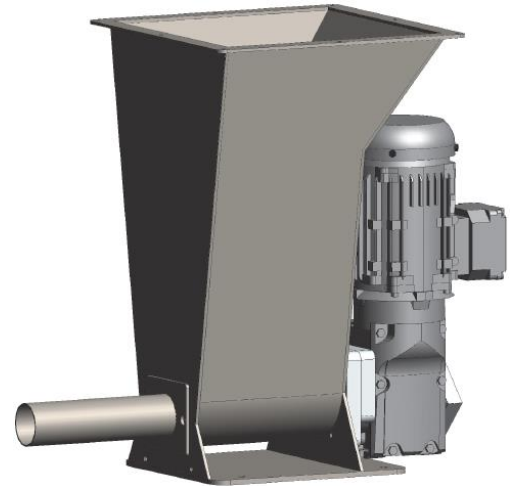
Agitator (Option):                     $\Delta$ 230V A W 50Hz / Y400V A W 50Hz

## LOSS-IN-WEIGHT FEEDER MODUS

In combination with a SCHOLZ BASIC platform scale, you have a gravimetric feeding-scale.

Scale:	BASIC300	BASIC400
Capacity:	30 / 75kgs	75 / 150 / 300kgs
Platform:	300 x 300mm	400 x 400mm
Scale:	390 x 300 x 150mm	490 x 400 x 150mm (DxWxH)
Material:	Alu / Stainless Steel	Alu / Stainless Steel
Execution:	plug & play	plug & play
Own weight:	11kgs	16kgs

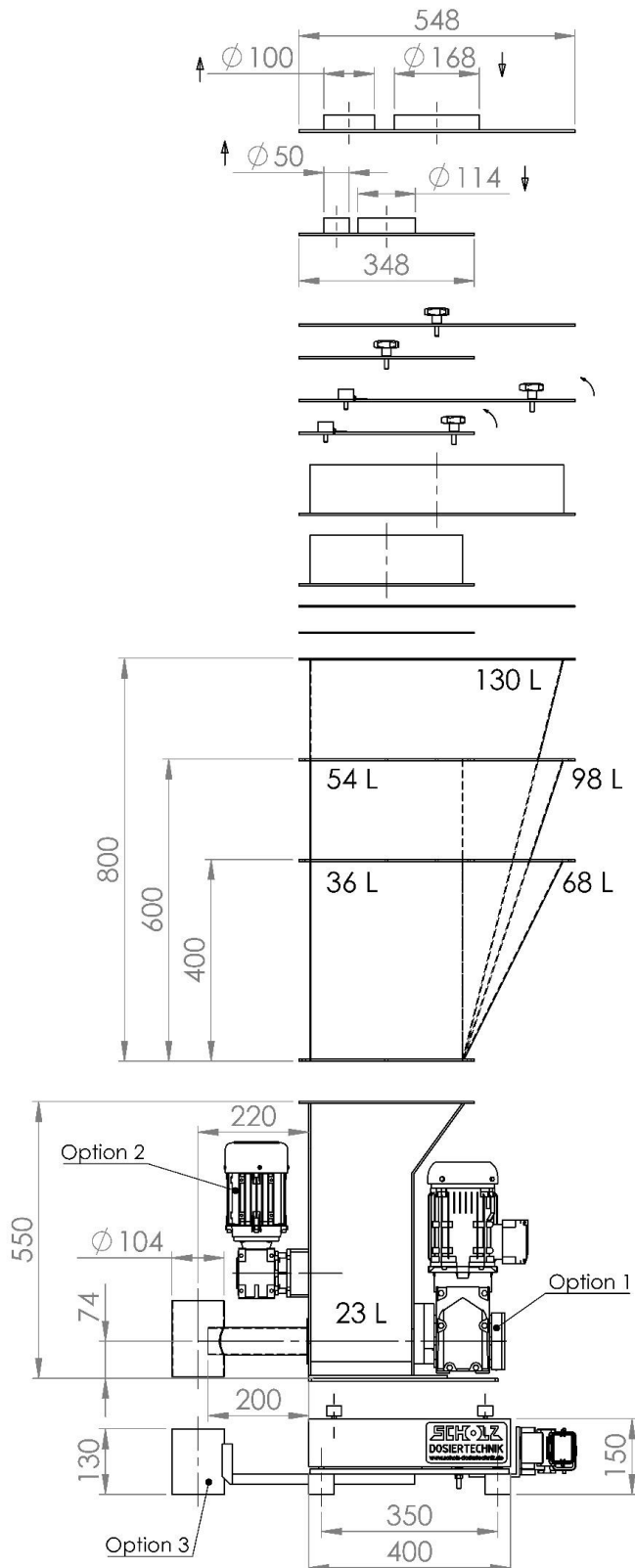
The SCHOLZ-CON-TRUST control system enables single- and multi-component operation.



MONO+ with horizontalem tube-outlet



MONO+ with 36-Liter-Hopper and vertical tube-outlet placed on platform-scale BASIC400



**AUTO LID**

AL-55	4,0 kg
AL-33	1,8 kg

**MANUAL LID**

ML-55	4,5 kg
ML-33	2,0 kg

**FLAP LID**

FL-55	4,7 kg
FL-33	2,2 kg

**BASIC HOPPER**

BH-025-551	5,0 kg
BH-009-331	2,5 kg

**SAFETY GRID**

SG-55	1,6 kg
SG-33	0,7 kg

**BASIC HOPPER**

BH-130-358	23,0 kg
BH-098-356	18,0 kg
BH-068-354	13,0 kg
SH-054-336	10,5 kg
SH-036-334	7,5 kg

**FEEDER**

MONO+	25,0 kg
-------	---------

Option 1 MONO-RC RUN CONTROL	0,5 kg
------------------------------------	--------

Option 2 MONO-HA HORIZONTAL AGITATOR	8,0 kg
--	--------

**SCALE**

BASIC400	16,0 kg
----------	---------

Option 3 BASIC400-OC OUTLET COMPENSATION	1,5 kg
--	--------

Differential-Dosierwaage MODUS  
Loss-in-Weight-Feeder MODUS